

# HBS

series



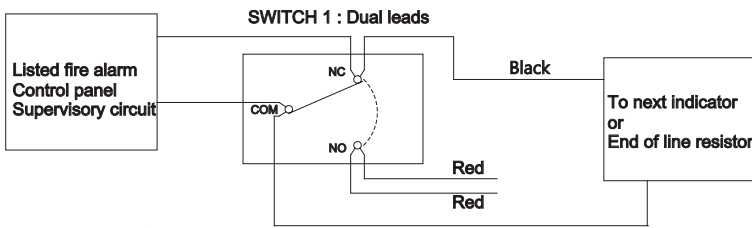
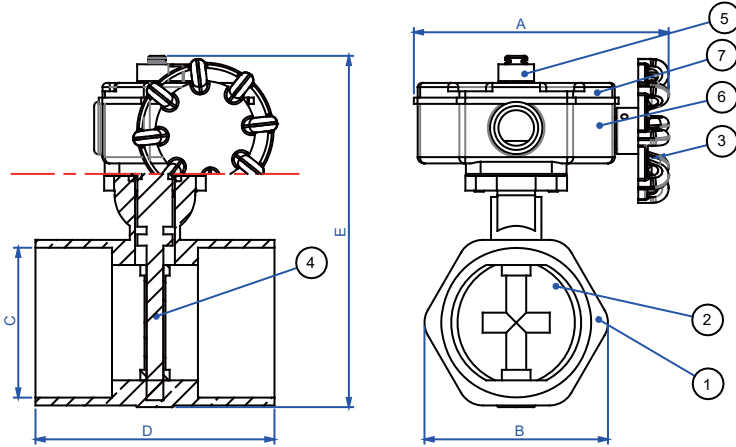
UL Signal Butterfly Valve

Working Pressure : 300PSI / 20.7Bar

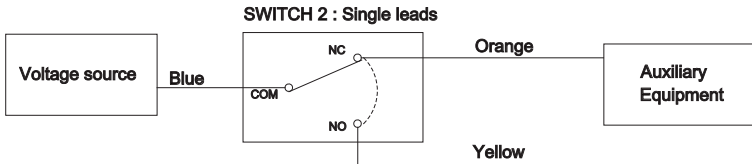
Connection: 1"~2.5" Theraded end



**HBS-300G**  
**HBS-300S**



Switch Rating : 10 AMP / 115 VAC  
5 AMP / 28 VDC



ITEM	PARTS	MATERIAL
1	BODY	BRONZE
2	DISC	SS304
3	HANDWHEEL	WCB
4	SEAT	VITOM
5	INDICATOR	POWDER METALLURGY
6	HOUSING	BRASS
7	COVER	BRASS

SIZES		DIMENSIONS (MM)				
Inch	mm	A	B	C(BSPT Thread)	D	E
1"	DN 25	120	44.5	1"	54	126
1.25"	DN 32	120	55	1 1/4"	66.7	130
1.5"	DN 40	120	60	1 1/2"	73	142
2"	DN 50	120	79	2"	82.6	156
2.5"	DN 65	120	96	2 1/2"	114	168